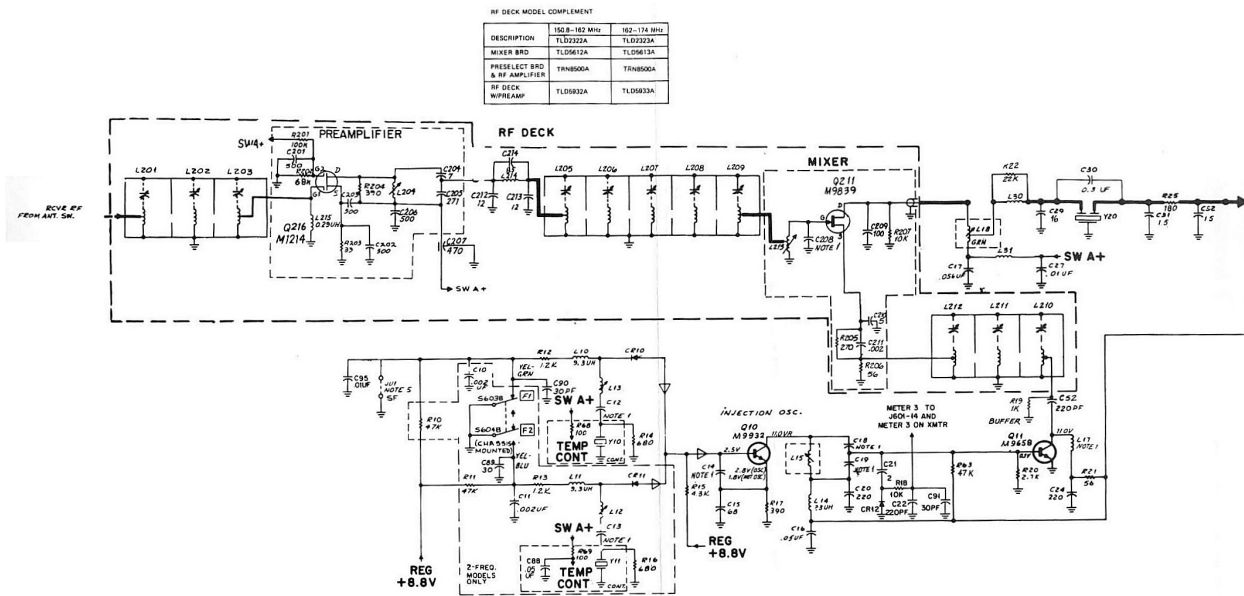


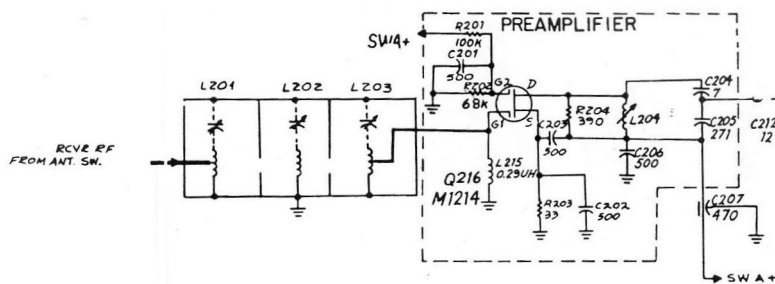
Introduction:

This document is notes about the Maxar. OEM also made a slightly different model called the "Moxy". One series of Moxy used a good front-end with the option of TLD5932A having three filters, then a preamp, then five more filters, which then fed the first mixer.

Show here is the overall front-end section, which then feeds some of the IF circuits.



Here's just the preamp section. Q216 ; a M1214, a dual gate field effect transistor (FET) Replacement is very hard to find. OEM number is 48-84412L14.



Motorola Moxy/Maxar (HP)

Copyright, SRG Dec 2018